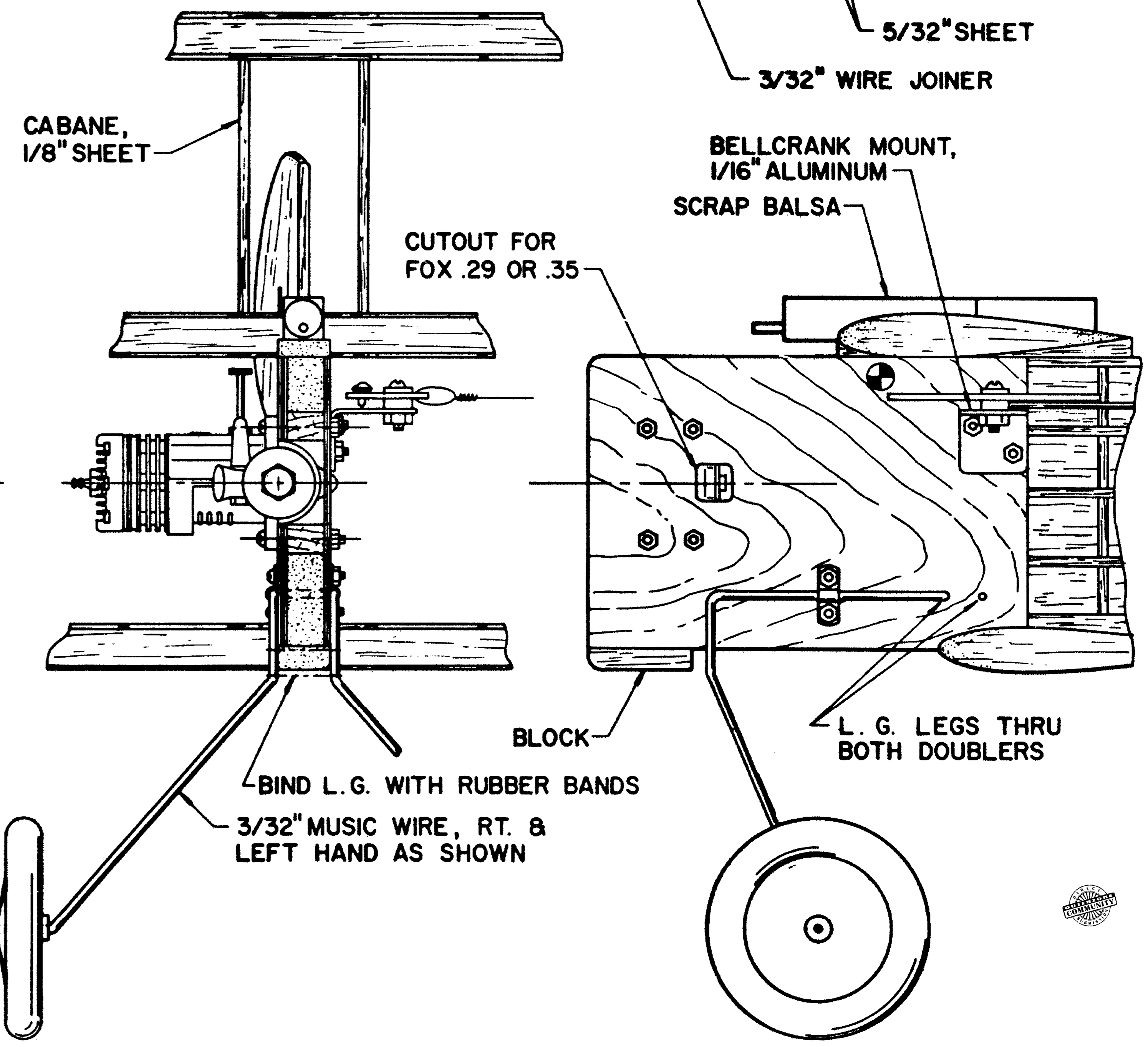
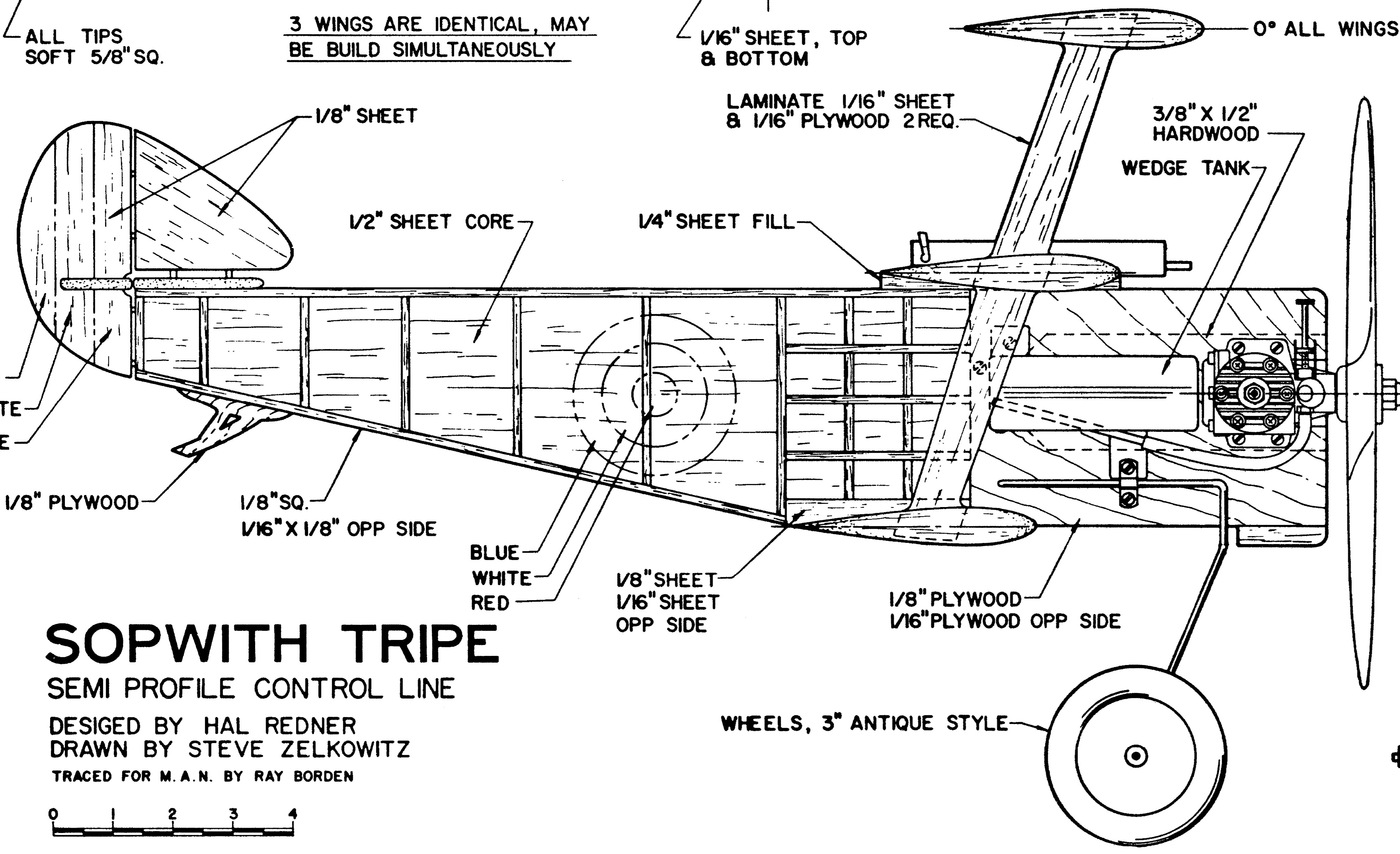
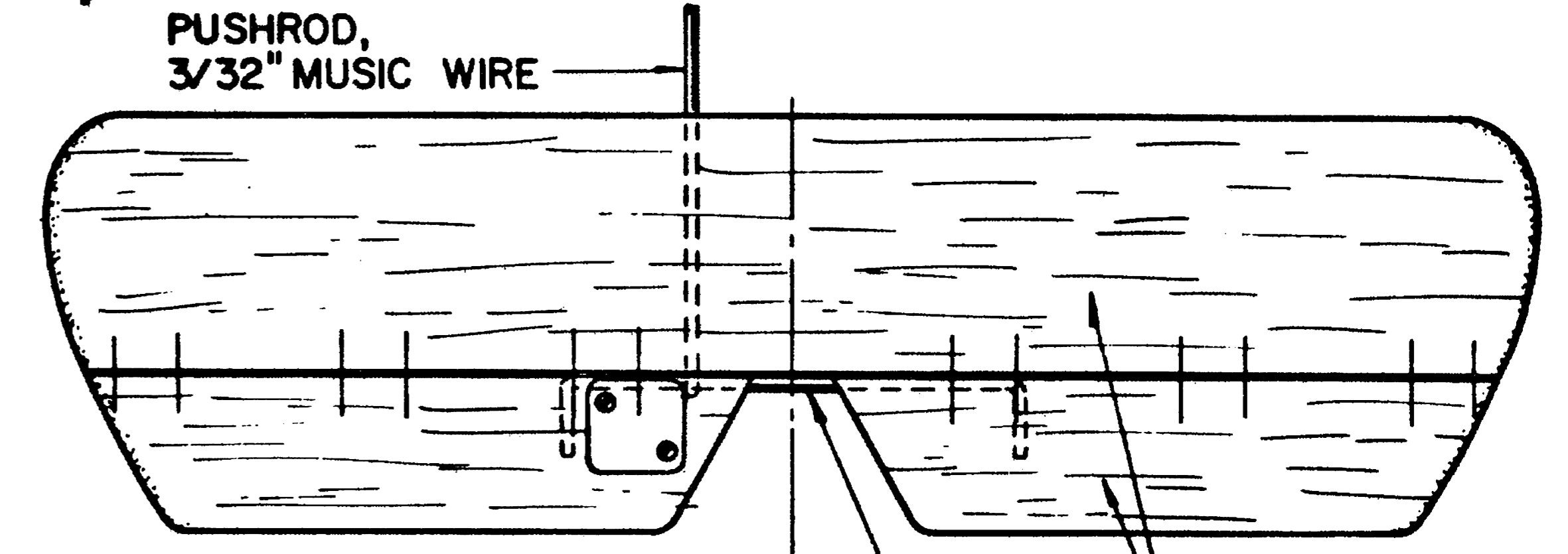


CONTROL HORN & BACK PLATE
1/32" BRASS OR ALUM.



SOPWITH TRIPE

SEMI PROFILE CONTROL LINE
DESIGNED BY HAL REDNER
DRAWN BY STEVE ZELKOWITZ
TRACED FOR M.A.N. BY RAY BORDEN

