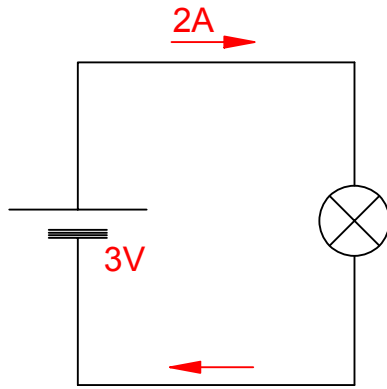
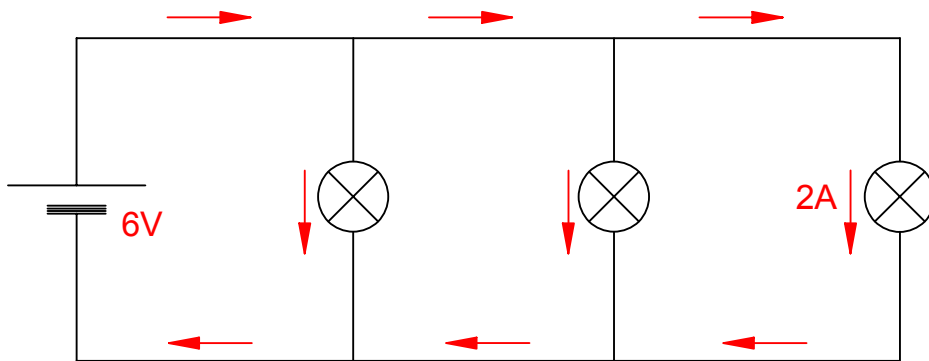


1



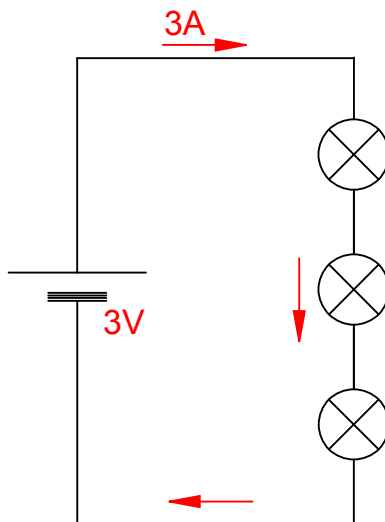
$R_{\text{bombilla}} =$

2



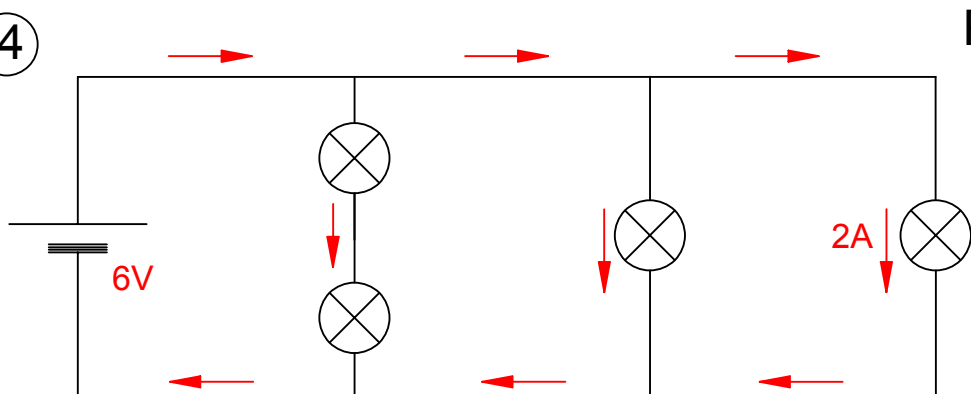
$R_{\text{bombilla}} =$

3



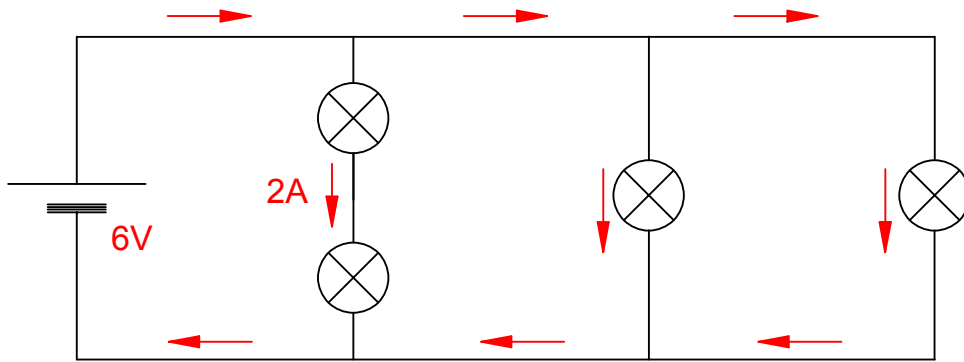
$R_{\text{bombilla}} =$

4



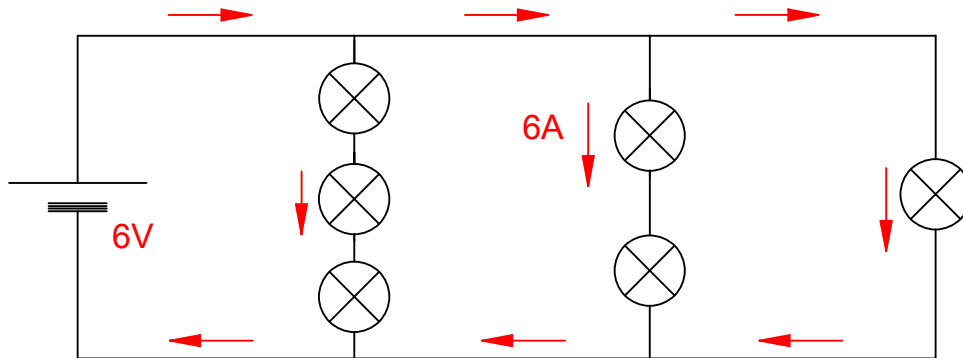
$R_{\text{bombilla}} =$

5



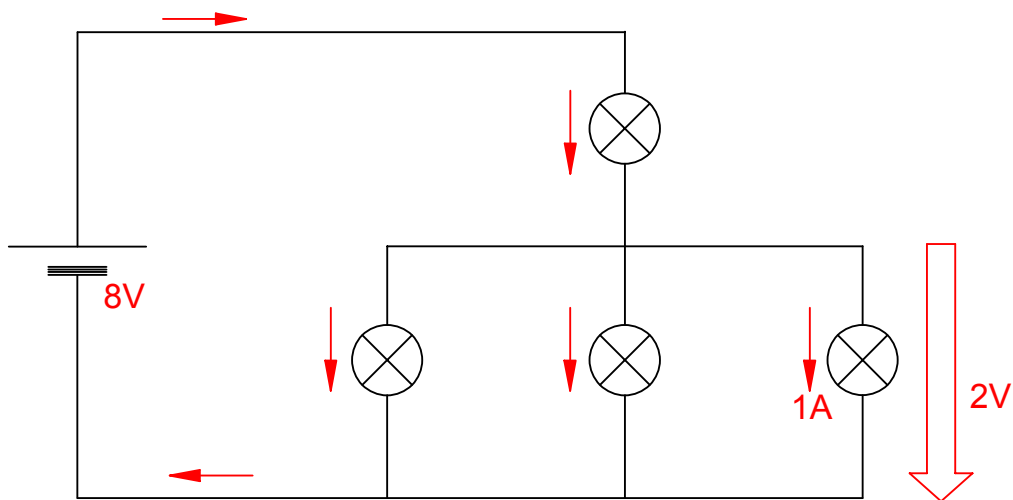
$R_{\text{bombilla}} =$

6



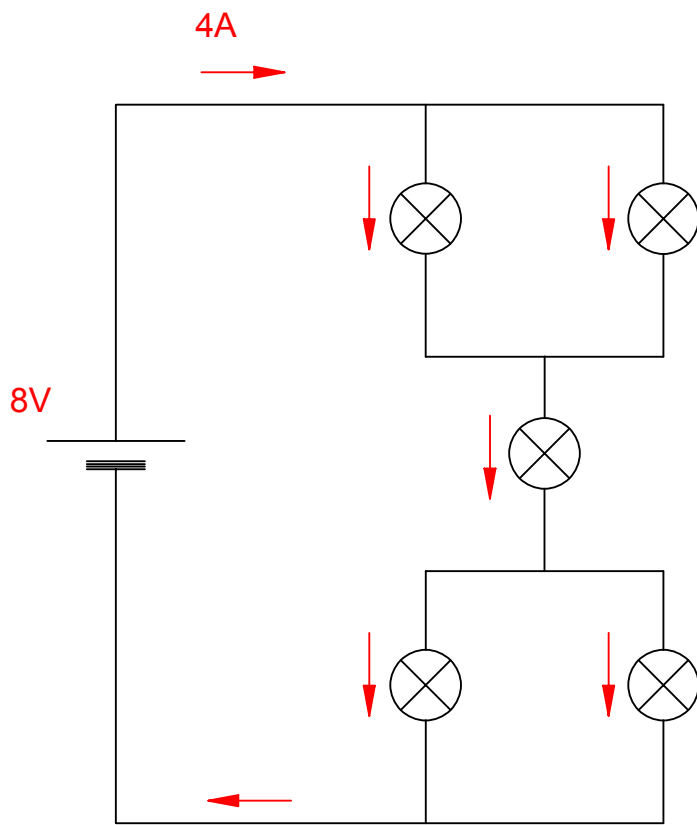
$R_{\text{bombilla}} =$

7



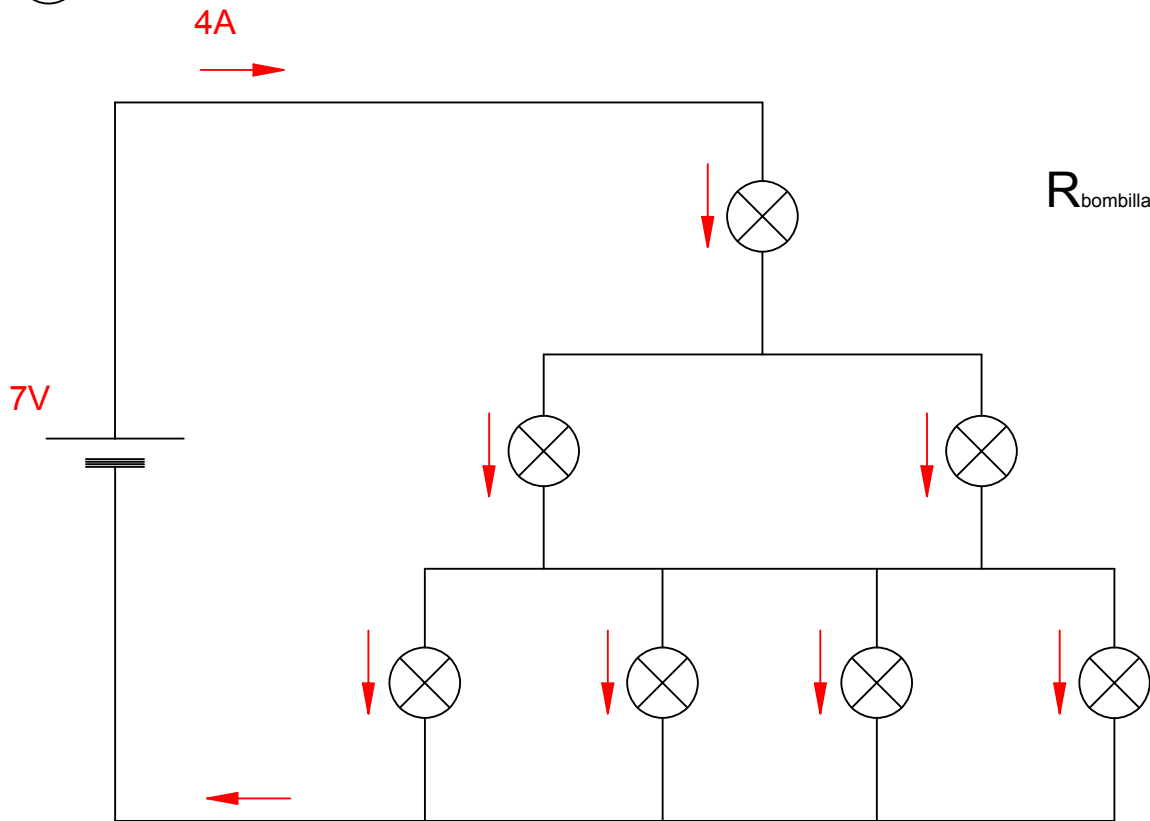
$R_{\text{bombilla}} =$

8



$R_{\text{bombilla}} =$

9



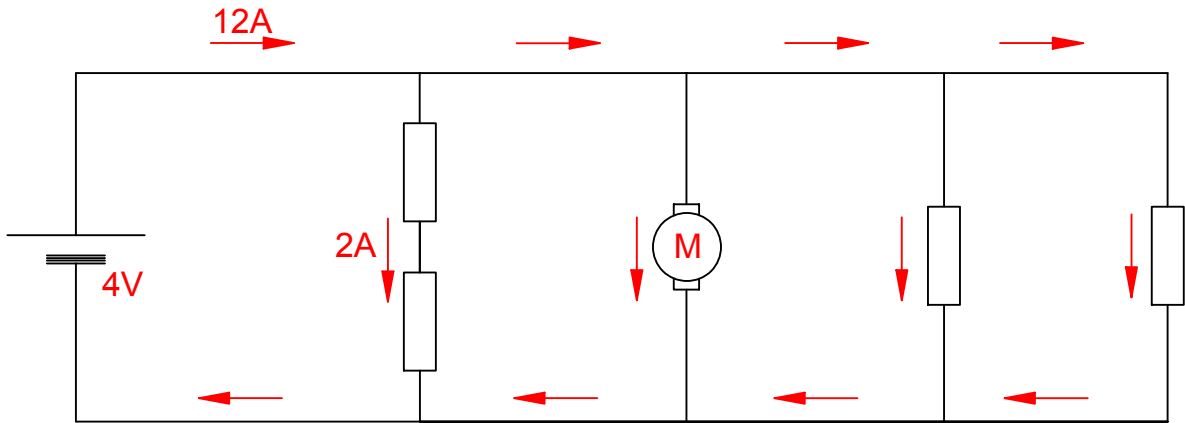
$R_{\text{bombilla}} =$

Ley de Ohm $R = \frac{V}{I}$

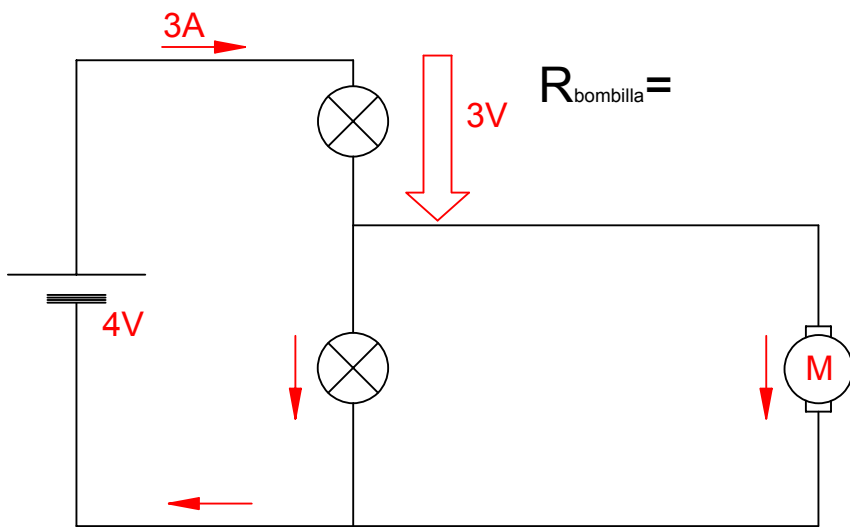
$R_{\text{resistencia}} =$

$R_{\text{motor}} =$

10



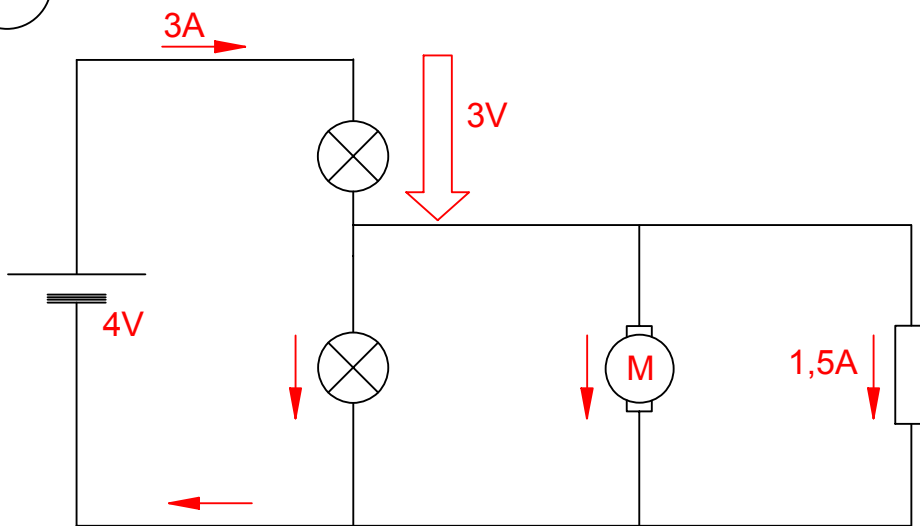
11



$R_{\text{bombilla}} =$

$R_{\text{motor}} =$

12

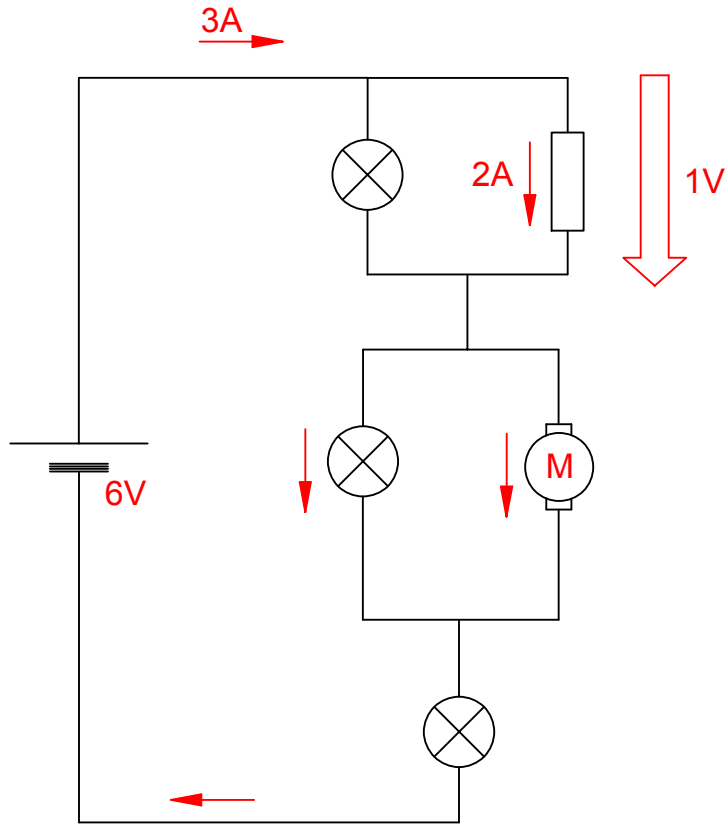


$R_{\text{bombilla}} =$

$R_{\text{motor}} =$

$R_{\text{resistencia}} =$

13

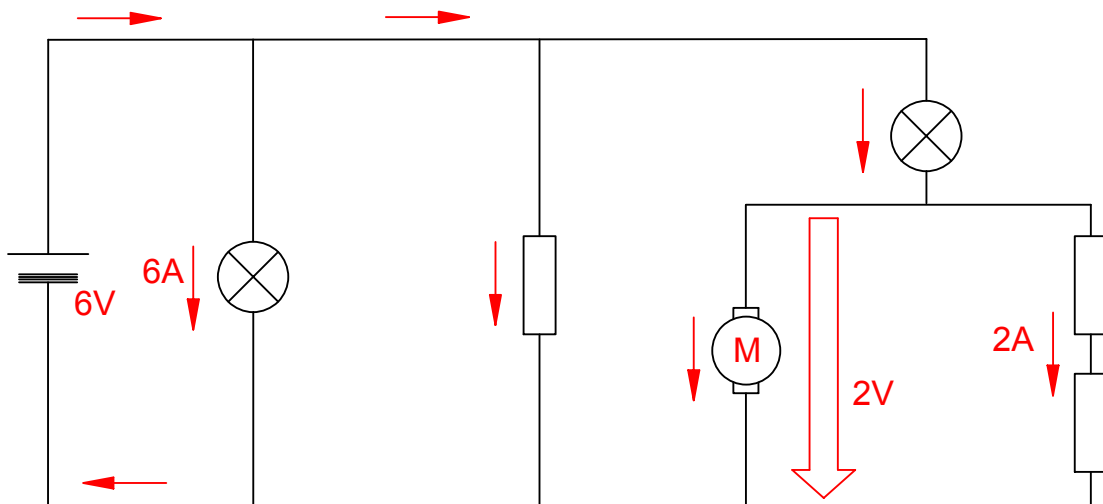


$R_{\text{bombilla}} =$

$R_{\text{motor}} =$

$R_{\text{resistencia}} =$

14

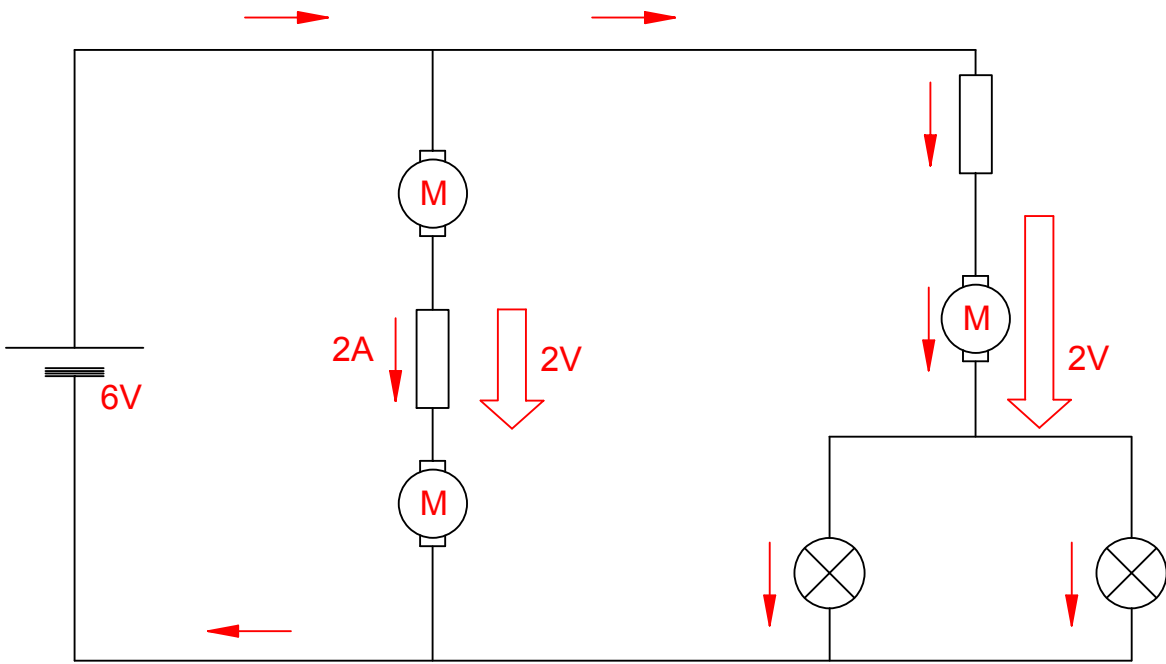


$R_{\text{bombilla}} =$

$R_{\text{motor}} =$

$R_{\text{resistencia}} =$

15

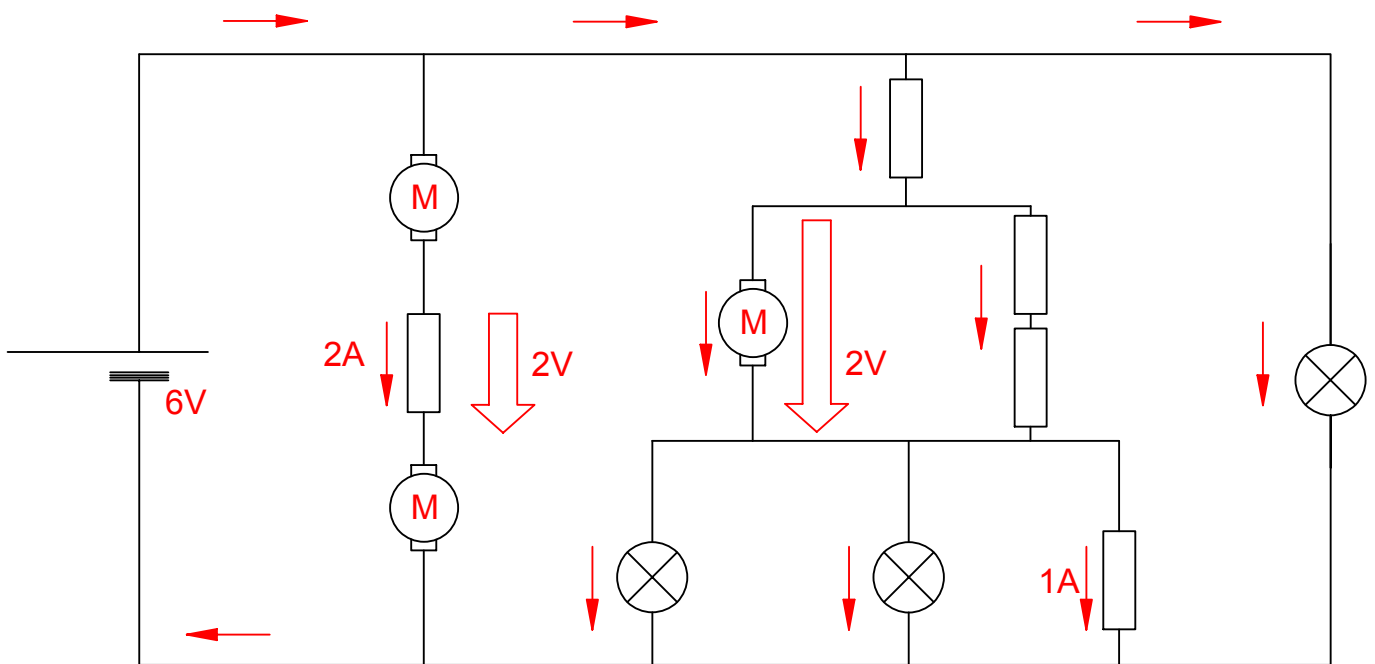


$R_{\text{bombilla}} =$

$R_{\text{motor}} =$

$R_{\text{resistencia}} =$

16

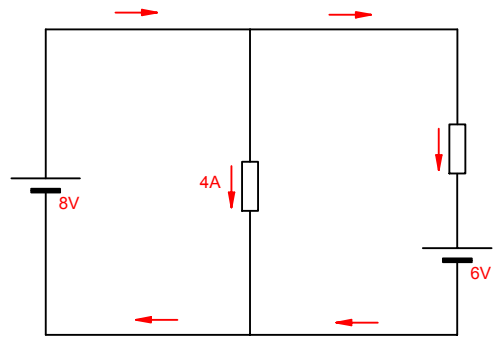


$R_{\text{bombilla}} =$

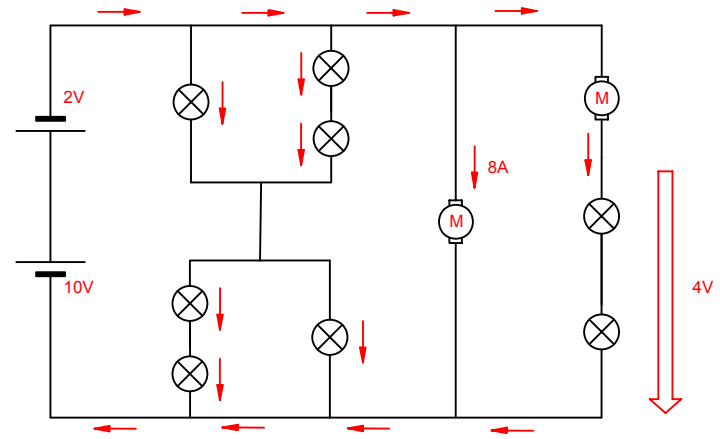
$R_{\text{motor}} =$

$R_{\text{resistencia}} =$

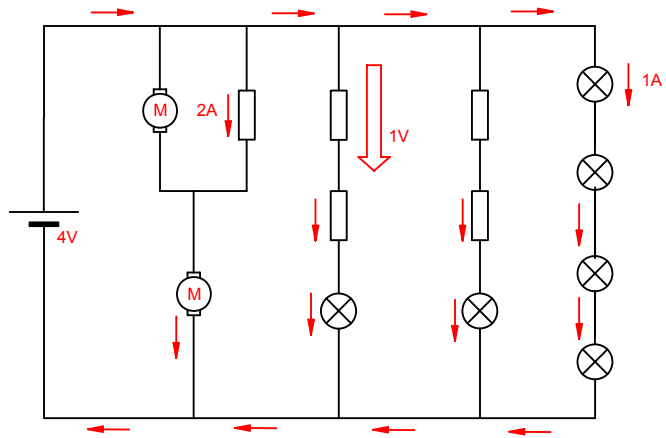
17



18



19



20

