

F

E

D

C

B

A

4

4

3

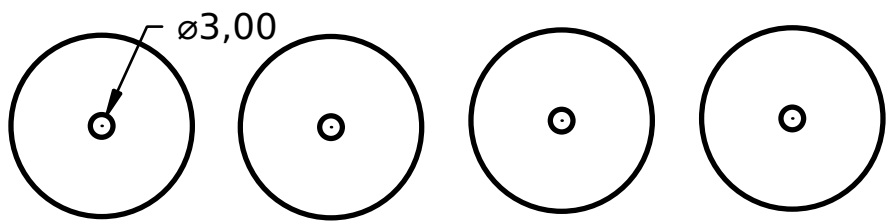
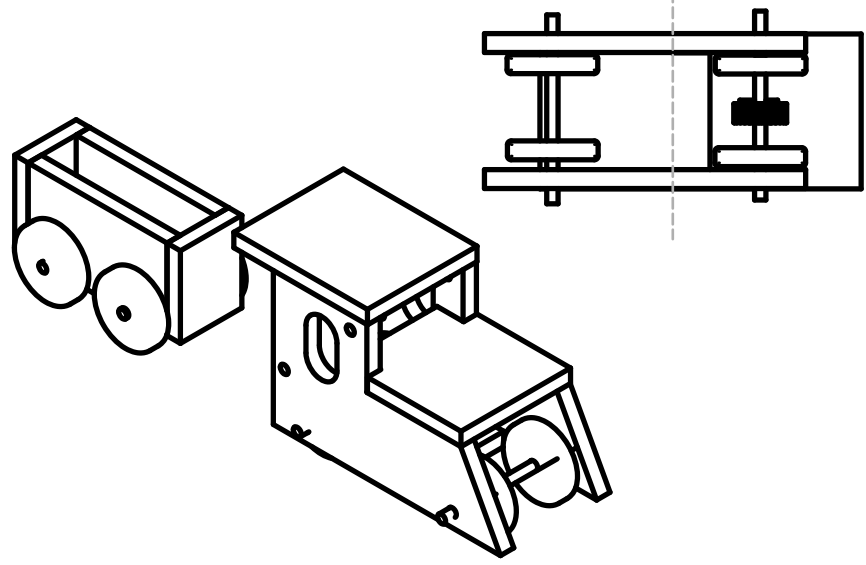
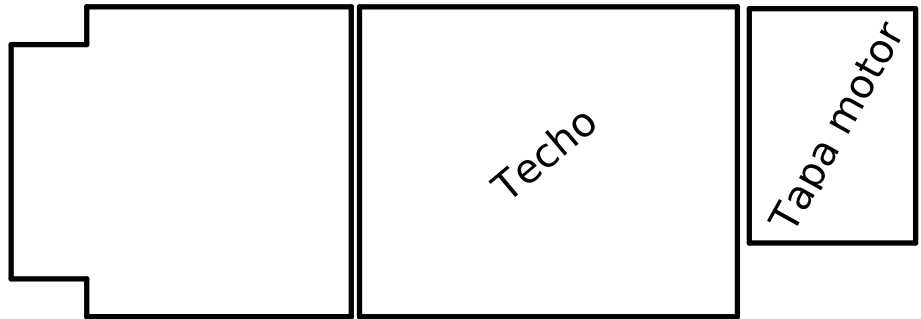
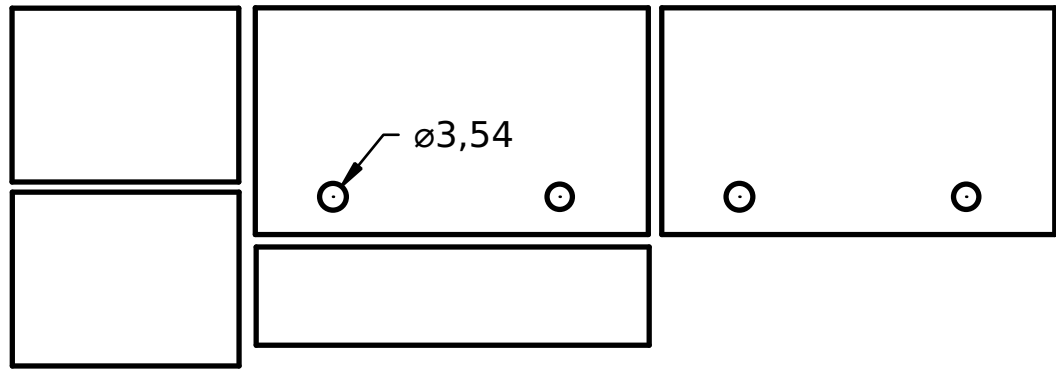
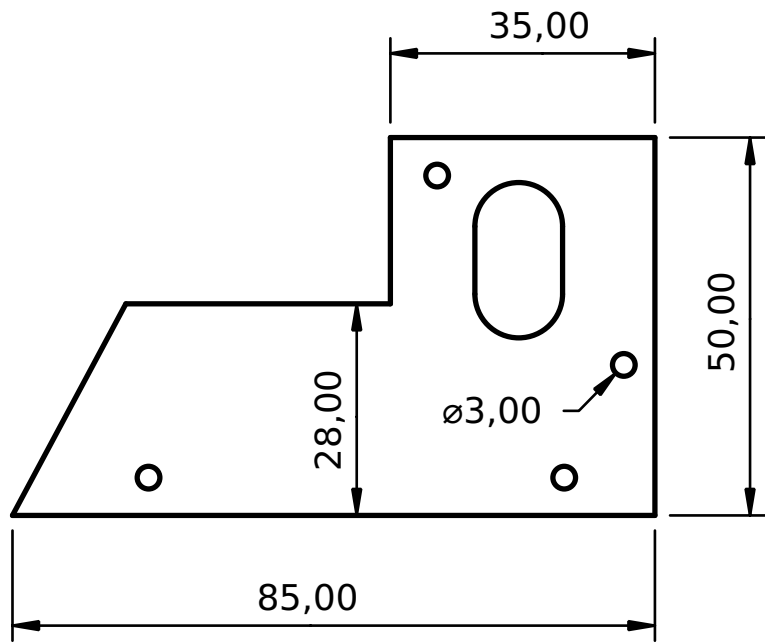
3

2

2

1

1



DESIGNED BY: S.HERMOSILLA		MINI TREN ELÉCTRICO		G	—
DATE: 11/10/19		Pincho moruno 3mm, motor eléctrico, pila AA		F	—
SIZE A4				E	—
				D	—
SCALE 1:1	WEIGHT (kg)	DRAWING NUMBER CONTRACHAPADO 5mm	SHEET 1/1	C	—
This drawing is our property; it can't be reproduced or communicated without our written consent.				B	—
				A	—

F

E

D